

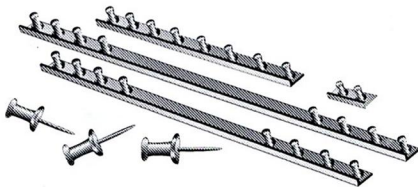
LAYOUT BLOCK SYSTEM

Your Layout Blocks are used with fiber-board... ceiling tile, homasote and plasterboard. **DO NOT USE WOOD BOARDS...** You will damage the pins.

Ceiling Tile: Pins go in and out easy, low cost, easy cutting and lightweight. Adding a layer of poster board will improve the holding of the pins.

Homasote: Pins go in harder but hold much better than ceiling tile... must be sawed like wood and is a little heavier.

Add to your system: **Layout Add-Ons** and **Replacement Pins**



LB02 - Four 3 inch & four 12 inch blocks with 40 push pins.

LB16 - 16 replacement push pins.

LB17 - Two 17 inch blocks & 16 pins.

LB23 - Two 23 inch blocks & 16 pins.

See all our products at
www.mortonglass.com

LAYOUT TIPS

Several layout methods can be used. Laying the pattern on the board and positioning the blocks to the border lines is the easiest way. Always check your pattern for square.

Fig. 1
Square used to set corner

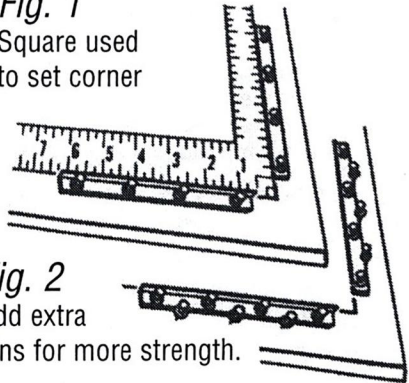


Fig. 2
Add extra pins for more strength.

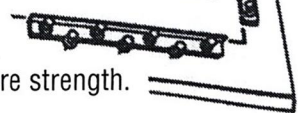


Fig. 3 Overlap corners for smaller sizes.

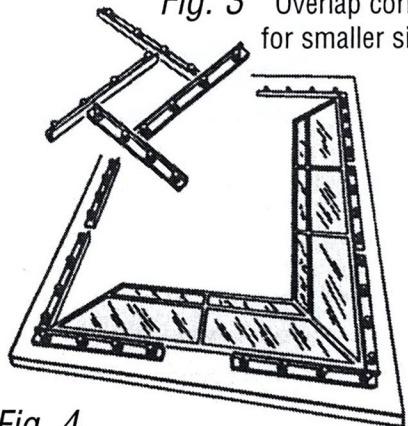


Fig. 4
Up to a 16 inch by 24 inch project can be framed with one LB01 set.

Recommendation: Leave no more than a 4 inch gap between the blocks.